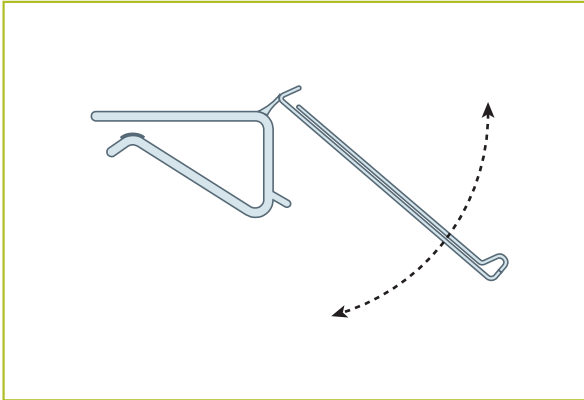


ClearVision™ Series 115T

for glass or wood shelves 0.25"-0.375" thick hinged, clip-on, 1.25"h ticket molding



Hinged label holder swings up and down

Easy installation, optimal flexibility.

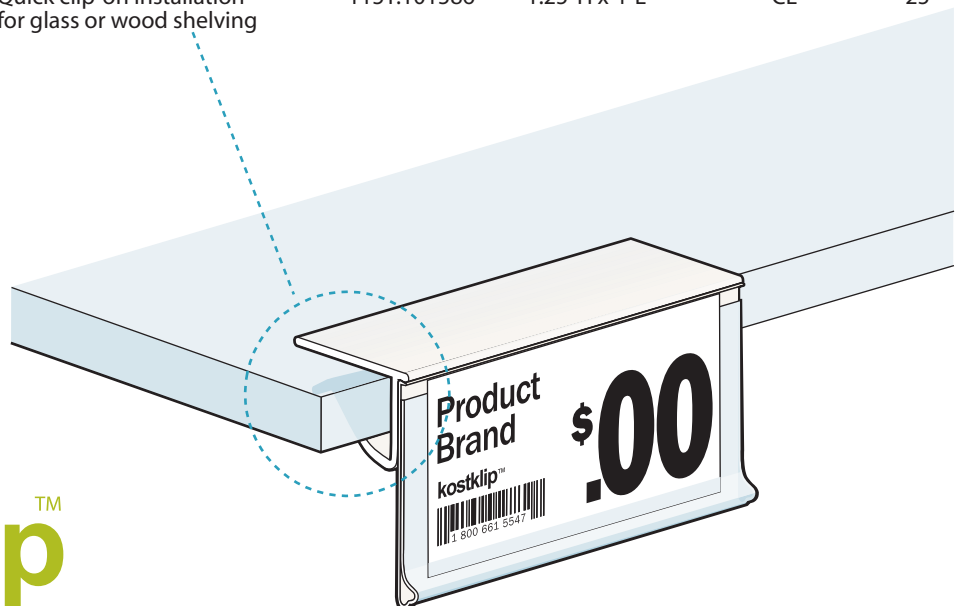
The ClearVision™ 115T hinged ticket molding provides easy access to items stocked underneath and/or towards the back with the hinged application.

Features

- Fits shelf edges 0.25" to 0.375" thick
- Maintains the existing shelf edge angle
- Flexible hinged system allows for easy restocking
- Simple fingertip access enables quick label changes
- Clear window effectively displays, protects and hold 1.25"H price labels securely in position

Code	Description	Color	Pack
115T:101775	1.25" H x 2" L	AW	100
115T:101583	1.25" H x 2" L	CL	100
115T:101772	1.25" H x 2.5" L	AW	100
115T:101584	1.25" H x 2.5" L	CL	100
115T:101773	1.25" H x 3" L	AW	100
115T:101585	1.25" H x 3" L	CL	100
115T:101774	1.25" H x 4" L	AW	25
115T:101586	1.25" H x 4" L	CL	25

Quick clip-on installation
for glass or wood shelving



kostklip™

Toll Free North America 1-800-661-5547

Kost Klip Manufacturing Ltd. | www.kostklip.com | sales@kostklip.com